

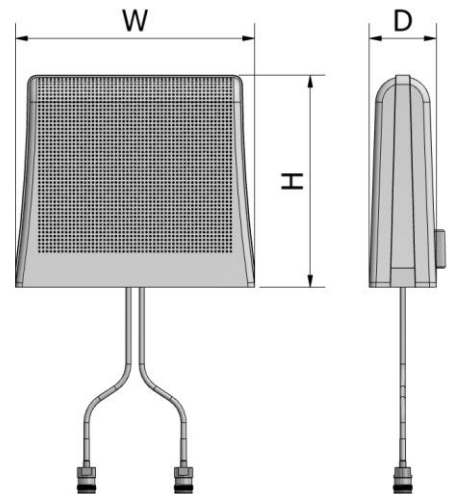
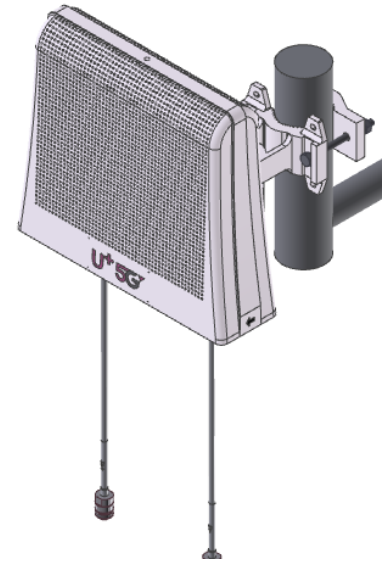
# 3.5GHz Patch Antenna

3350~3900 MHz / 16dBi

## P-0T02XT-0016-KLO

### i. Electrical Specification

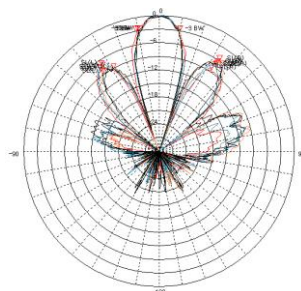
Frequency Range (MHz)	3350~3900	
Polarization	± 45°	
Band Width	550 MHz	
Gain	≥ 16 dBi	
Beam width	Horizontal	≥ 16 °
	Vertical	≥ 16 °
F-B ratio	≥ 20 dB	
VSWR	≤ 1.5 : 1	
Impedance	50 Ω	
Isolation	≥ 20 dB	
PIMD( 2 x 43 dBm)	≤ -140 dBc	
Maximum input power	200 W	



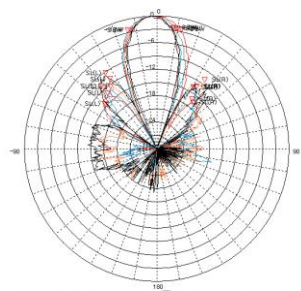
### ii. Mechanical Specification

Radom Dimension ( HxWxD )	250 x 250 x 75 mm
Weight (Include bracket )	≤ 4 Kg
Connector Type (Length)	Mini DIN-Female × 2 (300 mm)
Radome Color	White or Cool Gray
Radome Material	ASA or ABS or Anti-UV-PVC

### iii. Radiation Pattern



Horizontal Pattern



Vertical Pattern